



PRO 250-300/T plus white-EN54

- Outdoor application
- Strong beam type sound
- IP 66



EN 54-24:2008

Ref. Nr.: 022-04

ID-Code: SAA-LS28

22

1438-CPR-0814

ic audio GmbH, Boehringerstraße 14a,
D-68307 Mannheim, Germany

CE-Symbol gemäß Richtlinie 93/68EWG

The PRO 250-300/T plus white-EN54 is a weather-resistant 2-way coaxial horn loudspeaker, engineered for demanding outdoor applications with superb music quality and EN54 certification. It delivers a smooth yet powerful beam-type sound for professional sound reinforcement in airports, mega-stores, stadiums, and other large-scale installation areas.

The 250-watt loudspeaker is equipped with a high-performance 2-way bass-reflex system, consisting of a 12" woofer and a high-performance HF driver with a crossover at 2.5 kHz. Three different 100V power taps as well as low-impedance operation provide excellent flexibility for a wide range of sound system designs.

The robust, impact-resistant ABS housing with its high IP66 protection rating is designed for reliable performance in demanding environmental conditions. For long-term outdoor use, the loudspeaker features an aluminium front grille. Both the front grille and the mounting bracket are finished with an outdoor polyester powder coating, making them ideally suited for changing weather conditions.

The speaker is connected via a screw terminal on the rear, protected by a cover plate with 2 × PG11 cable glands. The tilt-adjustable mounting bracket made of stainless steel (AISI 304) allows for easy, secure, and flexible installation. A safety cable is included.

Product	PRO 250-300/T plus white-EN54
Artikel Nr.	20206428

Acoustics

Power	250/125/63W (8ohm)
Impedance (100V)	40/80/159 ohm
Speaker ø	300 mm
Frequency Range	85 - 19.000 Hz
Frequency Response	75 - 20.000 Hz
SPL 1W/1m, peak	99,6 dB
SPL 1W/4m, peak	87,6 dB
SPL Pmax/4m, peak	110,5 dB
SPL IEC268-5, 1W/1m	99,6 dB
SPL IEC268-5, Pmax/1m	122,5 dB
Sensitivity EN54-24, 1W/4m	86,0 dB
Dispersion -6dB, 500Hz	130° (h) 135° (v)
Dispersion -6dB, 1KHz	60° (h) 60° (v)
Dispersion -6dB, 2KHz	55° (h) 55° (v)
Dispersion -6dB, 4KHz	85° (h) 60° (v)

Connections and Housing

Connector	4-pin screw terminal
Terminal Diameter	2,5 mm
Maximum Cable Passage	4,9 mm ²
Temperature Range	-25 / +70 °C
Type A/B	B
Dimensions	390x425x418 mm
Weight (net)	20,85 kg
Housing	ABS
Colour	RAL 9016
Mounting	Mounting bracket
IP Rating	IP66

Certification

Ref. Nr.	022-04
ID-Code	SAA-LS28
Certificate Number	1438-CPR-0814

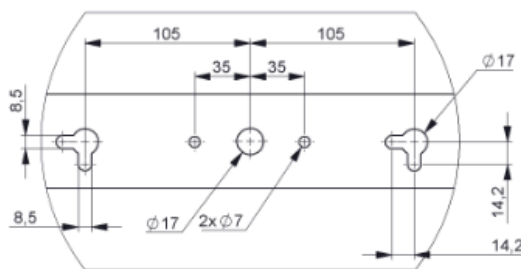
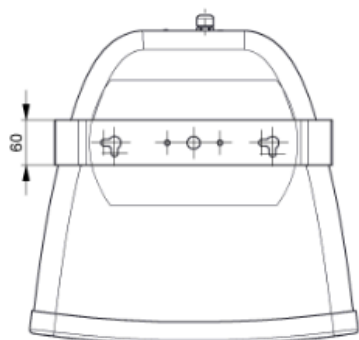
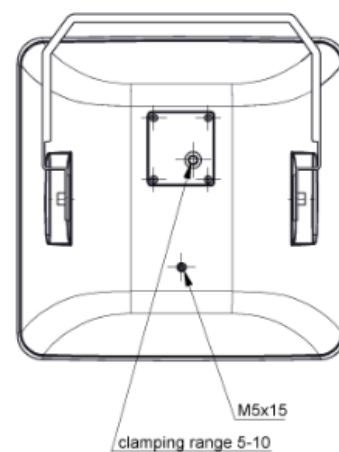
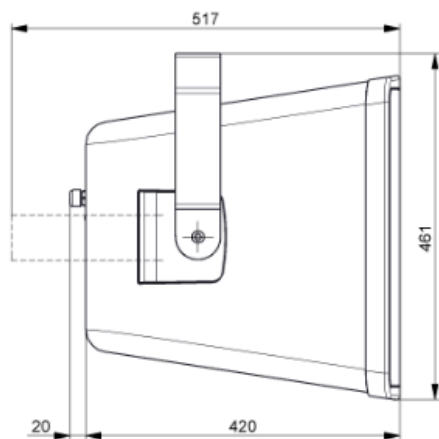
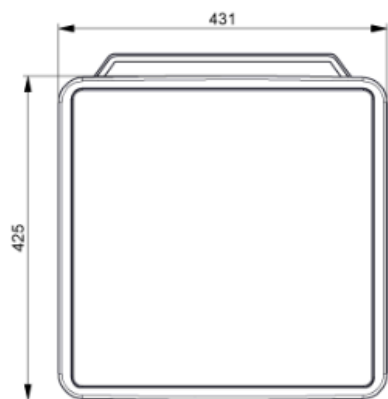
Product Attributes



Technical Drawing

 **ic audio**

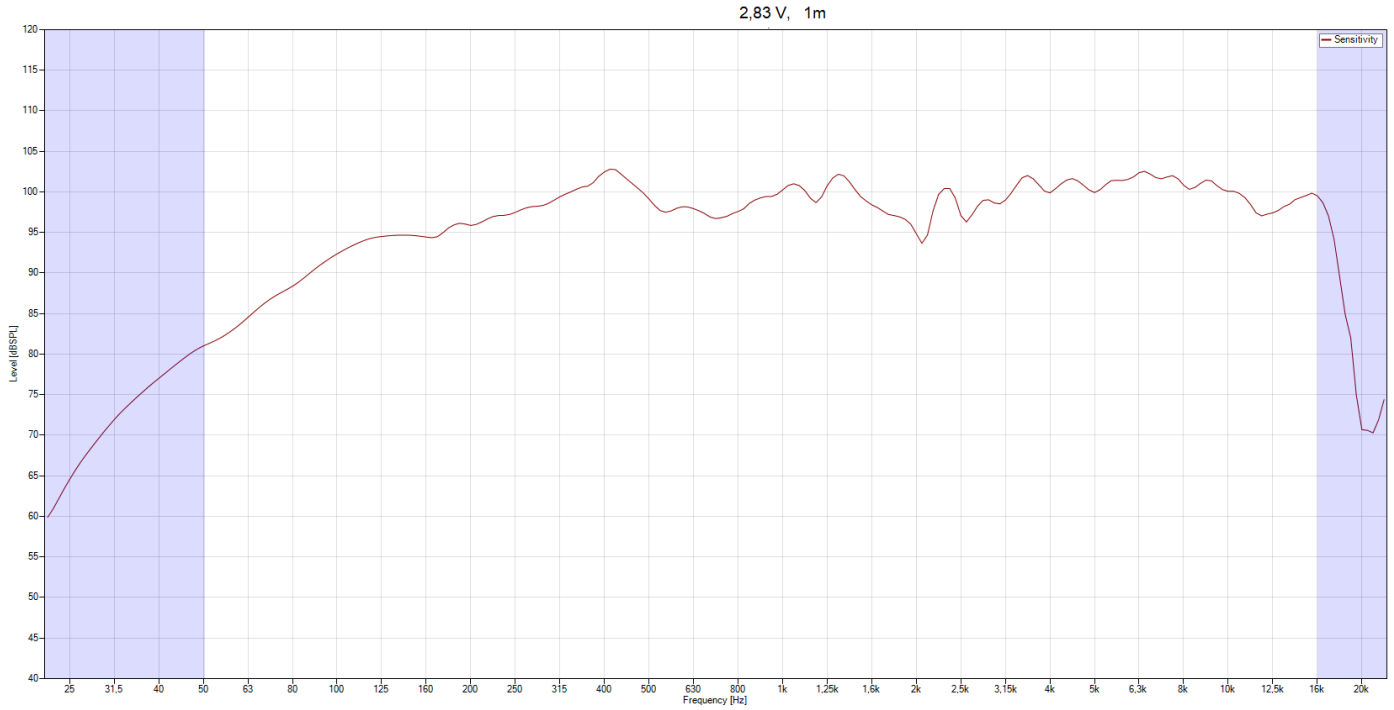
PRO 250-300/T-EN54



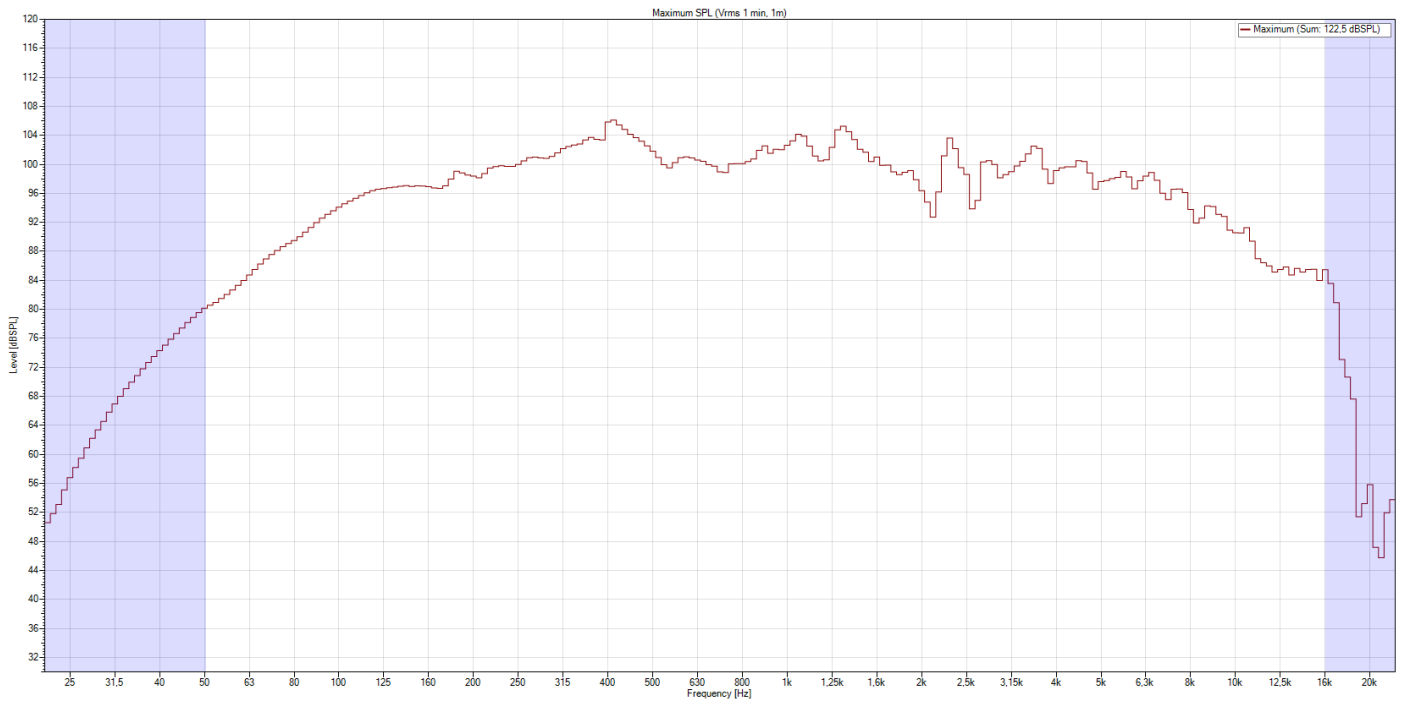
all dimensions are in mm

Frequency Response Diagram

Sensitivity

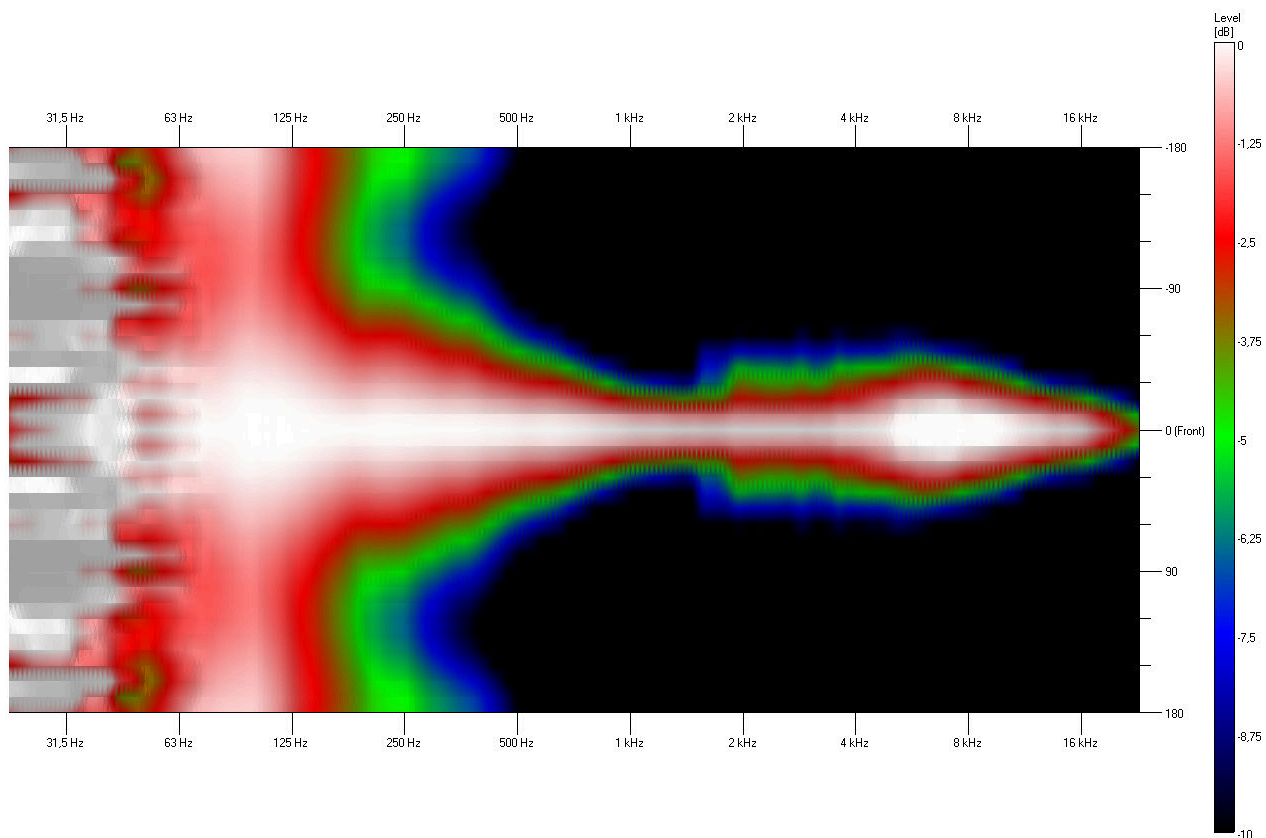


SPL Max

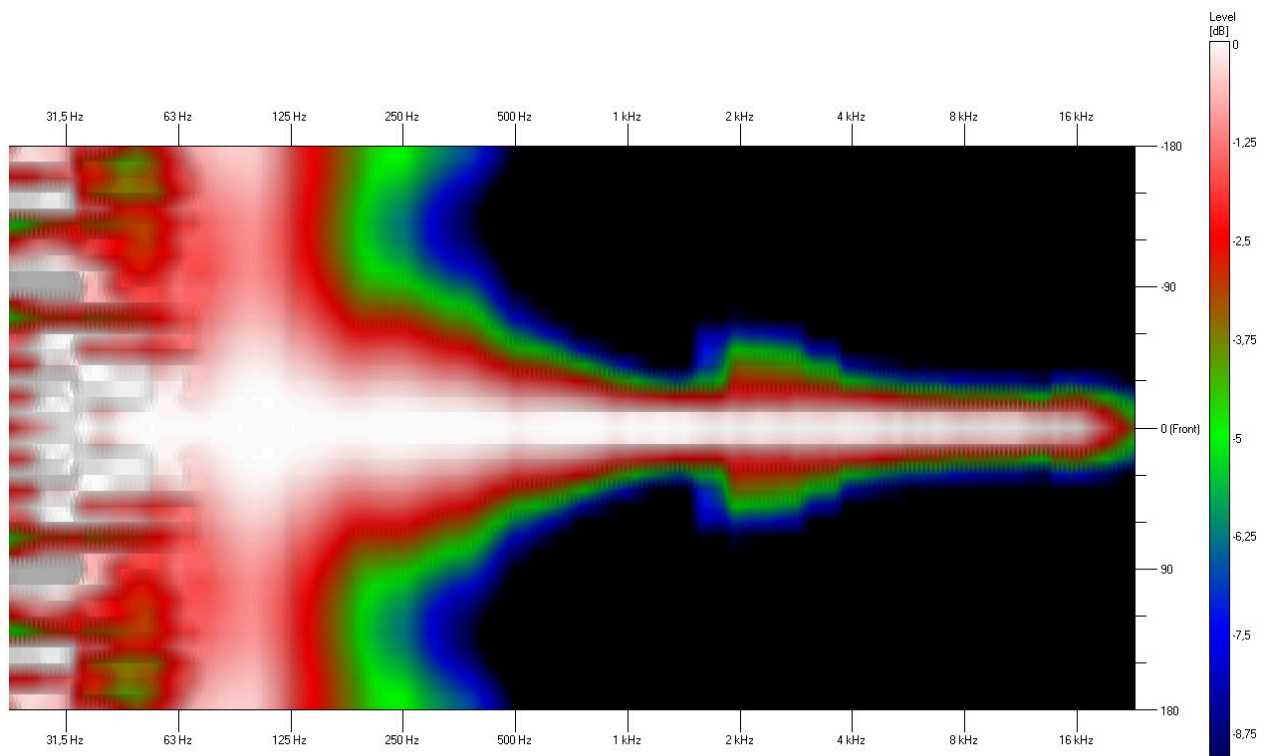


Isobar

Horizontal

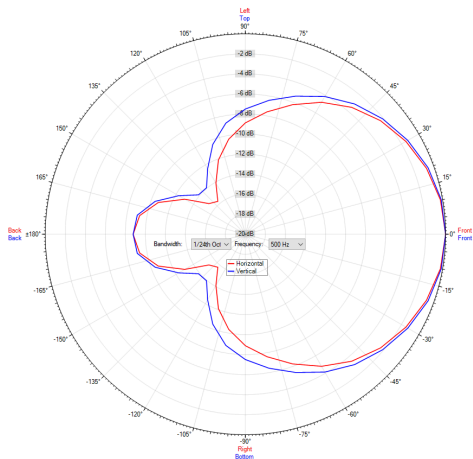


Vertical

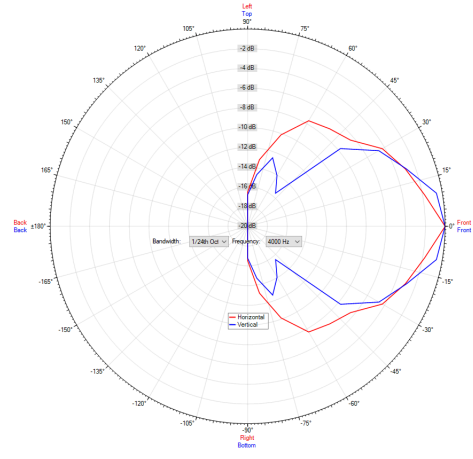


Polar Diagram

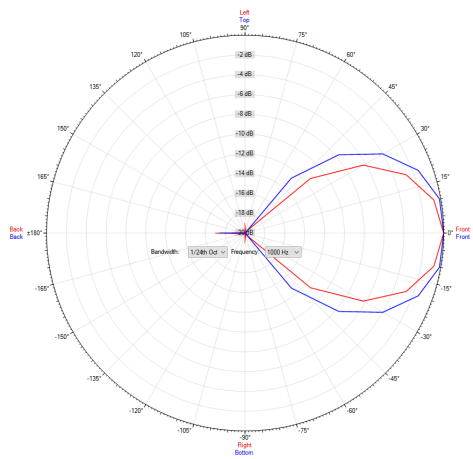
Polar Diagram 500Hz



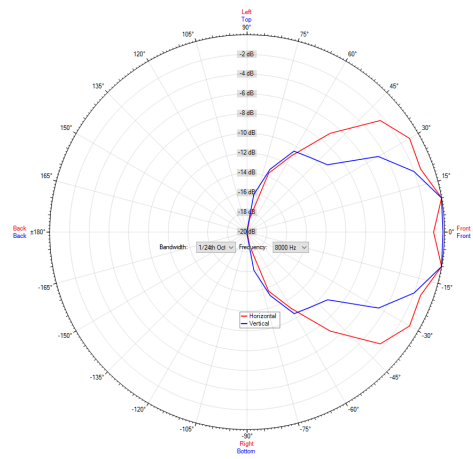
Polar Diagram 4000Hz



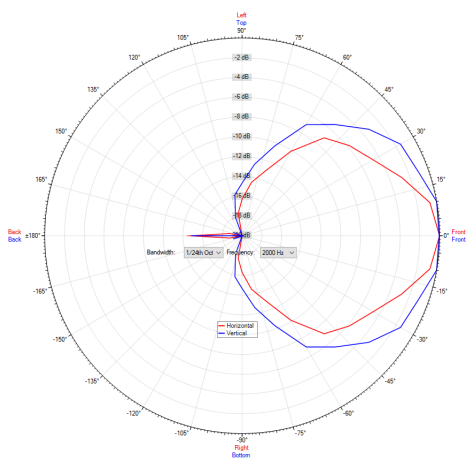
Polar Diagram 1000Hz



Polar Diagram 8000Hz



Polar Diagram 2000Hz



ic audio loudspeakers are tested and classified according to the IEC standard 60529 (degree of protection by enclosure) against the penetration of foreign objects and moisture. The classification is conforming to standards through characterization with a fixed code. This code consists of the letters IP (International Protection) followed by two digits. The first digit indicates the degree of protection against dust and the second digit the degree of protection against water. Please note that the testing of the products has been carried out in laboratory conditions which are not always 100% comparable with the conditions of different installation environments. This protection can be reduced due to normal wear and tear depending on the installation environment.

RoHS compliant (2011/65/EU)

The IP rating specified is based on ic audio test results, not on CNBOP-PIB test results. Certification only verifies the minimum requirements for EN54-24 compliance.



Artikel Nr. : 20206428
Packing Unit: 1

