

WA 06-165/T-EN54

Wall speaker for Voice Alarm, 6W power, certified EN

54-24



Technical Data

Colour	RAL 9010
Dimensions	252x192x82 mm
Dispersion -6dB, 500Hz	h=180° v=180°
Dispersion -6dB, 1KHz	h=160° v=160°
Dispersion -6dB, 2KHz	h=125° v=125°
Dispersion -6dB, 4KHz	h=89° v=89°
Sensitivity EN54-24, 1W/1m	93,0 dB
Sensitivity EN54-24, 1W/4m	81,0 dB
Frequency Range	197 - 21.900 Hz
Frequency Response	172 - 23.500 Hz
SPL IEC268-5, 1W/1m	93,0 dB
SPL EN54-24, Pmax/4m	90,0 dB
Power	6/3/1,5 W

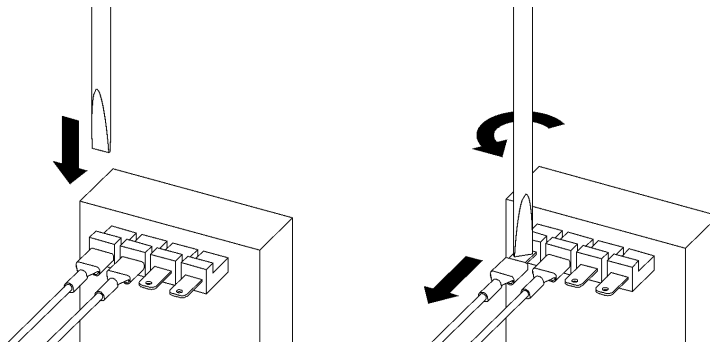


WA 06-165/T-EN54

Mounting Instruction

1. Guide the connection cables through the cut-out in the rear panel of the speaker.
2. Attach the back panel of the speaker to the wall. Use the enclosed screws.
3. Connect the cable to the 100V transformer.
4. Place the loudspeaker housing on one side of the rear wall so that the clamping spring engages in the hole. Press the second clamping spring inwards with a screwdriver and at the same time press the speaker against the wall so that the second clamping spring engages
5. Use the enclosed plastic caps to cover the side holes.

Please note: To avoid damage, we recommend loosening the cable lug with a flat-blade screwdriver when changing the cable to a different power tapping.



19

CE-Symbol according to 93/68EWG
Measurements according to DIN IEC 268-5
RoHS compliant (2011/65/EU)
CPR compliance according 305/2011/EU

Loudspeaker for voice alarm systems for fire
detection and fire alarm systems for buildings
ic audio GmbH, Boehringerstraße 14A
D-68307 Mannheim, Germany

EN54-24:2008
Ref. Nr.:007-13
ID-Code:SAA-LS07
1438-CPR-0231