

DL-FF 06-165/T-EN54

Ceiling speaker for Voice Alarm, power 6W, certified EN 54-24



Technical Data

Colour	RAL 9010
Dimensions	230x98,5 mm
Ceiling Cut-out	201 mm
Dispersion -6dB, 500Hz	h/v 180°
Dispersion -6dB, 1KHz	h/v 180°
Dispersion -6dB, 2KHz	h/v 97,5°
Dispersion -6dB, 4KHz	h/v 44°
Sensitivity EN54-24, 1W/1m	92,0 dB
Sensitivity EN54-24, 1W/4m	80,0 dB
Frequency Range	125 - 23.500 Hz
Frequency Response	100 - 23.500 Hz
SPL IEC268-5, 1W/1m	92,0 dB
SPL EN54-24, Pmax/4m	90,0 dB
Power	6/3/1,5 W

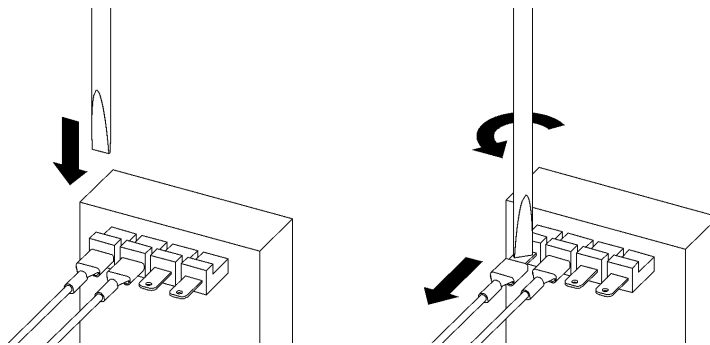


DL-FF 06-165/T-EN54

Mounting Instruction

1. Insert the wiring through the rubber grommets.
2. Insert the fire dome into the ceiling cut-out and secure it with screws.
3. Hook the first fastening spring into the spring holder provided (in the fire dome).
4. Connect the connection cable to the transformer.
5. Hook the second fastening spring into the spring holder provided (in the fire dome).
6. Press the speaker into the firepot from the bottom up until the outer ring is flush with the ceiling.

Please note: To avoid damage, we recommend loosening the cable lug with a flat-blade screwdriver when changing the cable to a different power tapping.



14

CE-Symbol according to 93/68EWG
Measurements according to DIN IEC 268-5
RoHS compliant (2011/65/EU)
CPR compliance according 305/2011/EU

Loudspeaker for voice alarm systems for fire
detection and fire alarm systems for buildings
ic audio GmbH, Boehringerstraße 14A
D-68307 Mannheim, Germany

EN54-24:2008
Ref. Nr.:014-14
ID-Code:SAA-LS14
1438-CPR-0384