

## DL-E-AB 06-100/T-EN54 SAFE

Ceiling speaker for Voice Alarm, A/B-cabling, 2x6 power, certified EN 54-24



### Technical Data

Colour	RAL 9016
Dimensions	246x66 mm
Ceiling Cut-out	218 mm
Dispersion -6dB, 500Hz	180° h/v (s/d)
Dispersion -6dB, 1KHz	180° h/v (s/d)
Dispersion -6dB, 2KHz	180° h/v (single)   77°/137° h/v (double)
Dispersion -6dB, 4KHz	150°/100° h/v (single)   33°/90° h/v (double)
Sensitivity EN54-24, 1W/1m	85,0 dB (single)   89,0 dB (double)
Sensitivity EN54-24, 1W/4m	73,0 dB (single)   77,0 dB (double)
Frequency Range	103 - 20.100 Hz (single)   107 - 19.600 Hz (double)
Frequency Response	96 - 23.300 Hz (single)   101 - 22.900 Hz (double)
SPL IEC268-5, 1W/1m	85,0 dB (single)   89,0 dB (double)
SPL EN54-24, Pmax/4m	83,0 dB (single)   88,0 dB (double)
Power	2x6/3/1,5 W

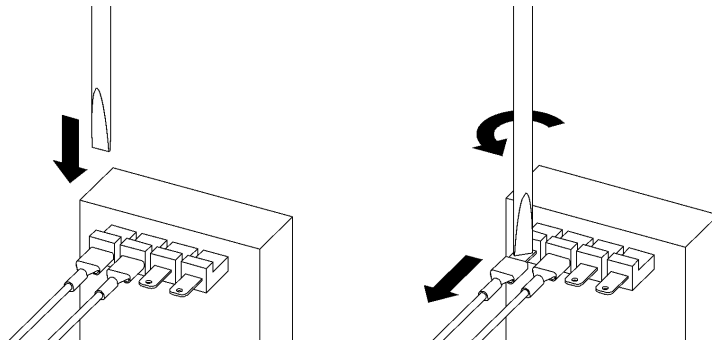


## DL-E-AB 06-100/T-EN54 SAFE

### Mounting Instruction

1. Create the necessary ceiling cut-out and check the installation depth.
2. Unscrew the butterfly screw of the contact protection.
3. Remove the contact protection of the loudspeaker.
4. Push the incoming cables through the cable entries of the contact protection.
5. Connect the loudspeaker cable to the terminals 100V and COM.  
If necessary, select a different power tapping.
6. Place the contact protection back on the loudspeaker and fix it with the butterfly screws.
7. Fold up the speaker's leg spring and insert the speaker into the ceiling cut-out.
8. Press the speaker into the ceiling until it is flush with the ceiling cut-out.

**Please note:** To avoid damage, we recommend loosening the cable lug with a flat-blade screwdriver when changing the cable to a different power tapping.



CE-Symbol according to 93/68EWG  
Measurements according to DIN IEC 268-5  
RoHS compliant (2011/65/EU)  
CPR compliance according 305/2011/EU

Loudspeaker for voice alarm systems for fire  
detection and fire alarm systems for buildings  
ic audio GmbH, Boehringerstraße 14A  
D-68307 Mannheim, Germany

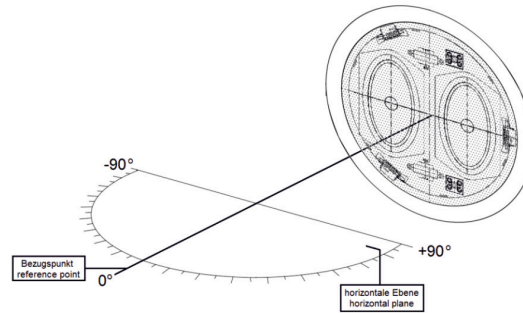
EN54-24:2008  
Ref. Nr.:006-13  
ID-Code:SAA-  
LS06  
1438-CPR-0997

## DL-E-AB 06-100/T-EN54 SAFE



Anleitung zur Montage.  
Horizontale Abstrahlung.

*Instruction for mounting.  
Horizontal coverage angle.*



24

CE-Symbol according to 93/68EWG  
Measurements according to DIN IEC 268-5  
RoHS compliant (2011/65/EU)  
CPR compliance according 305/2011/EU

Loudspeaker for voice alarm systems for fire  
detection and fire alarm systems for buildings  
ic audio GmbH, Boehringerstraße 14A  
D-68307 Mannheim, Germany

EN54-24:2008  
Ref. Nr.:006-13  
ID-Code:SAA-  
LS06  
1438-CPR-0997

TO MAKE PEOPLE LISTEN