

## WA-AB 06-100/T BLACK-EN54V

Wall speaker for Voice Alarm, A/B-cabling, 2x6W power, certified EN 54-24



### Technical Data

Colour	RAL 9005
Dimensions	252x194x82 mm
Dispersion -6dB, 500Hz	175° h/v (single)   180° h/v (double)
Dispersion -6dB, 1KHz	180°/160° h/v (single)   145°/130° h/v (double)
Dispersion -6dB, 2KHz	150°/135° h/v (single)   90°/80° h/v (double)
Dispersion -6dB, 4KHz	105°/90° h/v (single)   50°/40° h/v (double)
Sensitivity EN54-24, 1W/1m	91,6 dB
Sensitivity EN54-24, 1W/4m	79,6 dB
Frequency Range	227 - 14.600 Hz (single)   224 - 14.300 Hz (double)
Frequency Response	165 - 23.500 Hz (single)   162 - 23.500 Hz (double)
SPL IEC268-5, 1W/1m	91,0 dB
SPL EN54-24, Pmax/4m	85,0 dB (single)   88,0 dB (double)
Power	2x 6/3/1,5 W

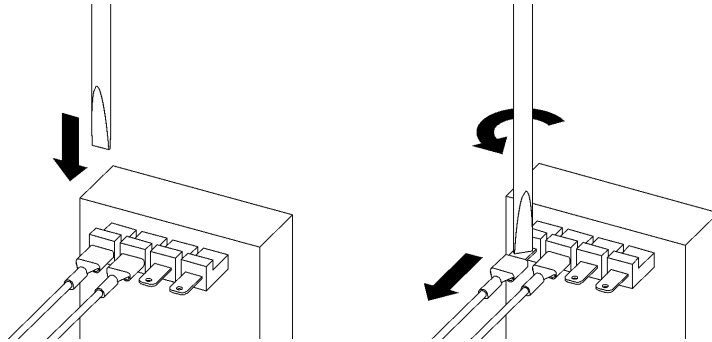


## WA-AB 06-100/T BLACK-EN54V

### Mounting Instruction

1. Guide the connection cables through the cut-out in the speaker's rear panel.
2. Attach the back panel of the speaker to the wall. Use the enclosed screws.
3. Connect the cable to the 100V transformer.
4. Place the loudspeaker housing on the rear wall. Use the enclosed screws, to fix the speaker to the rear wall.

**Please note:** To avoid damage, we recommend loosening the cable lug with a flat-blade screwdriver when changing the cable to a different power tapping.



CE-Symbol according to 93/68EWG  
Measurements according to DIN IEC 268-5  
RoHS compliant (2011/65/EU)  
CPR compliance according 305/2011/EU

Loudspeaker for voice alarm systems for fire  
detection and fire alarm systems for buildings  
ic audio GmbH, Boehringerstraße 14A  
D-68307 Mannheim, Germany

EN54-24:2008  
Ref. Nr.:008-13  
ID-Code:SAA-  
LS08  
1438-CPR-0230