



DL-BR 30-165/T plus-EN54

- bassreflex
- quick mounting
- impact-resistant ABS



EN 54-24:2008
Ref. Nr.: 006-14
ID-Code: SAA-LS15
1438-CPR-0435

ic audio GmbH, Boehringerstraße 14a,
D-68307 Mannheim, Germany

CE-Symbol gemäß Richtlinie 93/68EWG

The 30W powered speaker is equipped with a 165mm 2-way bass-reflex system with a neodymium tweeter and a 100V transformer with 4 power adjustments. The speaker provides very high music quality. Low-impedance operation is also possible. The impact-resistant ABS housing in RAL 9016 guarantees long-term stability. For additional reliability, a thermal fuse and a strain relief fitting are provided.

The speaker is also protected against the risks of environmental influences with protection class IP 21C and the speaker chassis is impregnated against wetness. Quick and uncomplicated screw mounting, the connection is made via a sturdy 4-pole screw terminal.

Thanks to modern 2-way technology, particularly suitable for installations with demanding sound quality.

Technical Data (Electrical)

Description	DL-BR 30-165/T plus-EN54
Power	30/15/7,5/3,75 (8) W
Impedance (100V)	333/667/1333/2667 ohm
Frequency Range	100-19.200 Hz
Frequency Response	87-19.300 Hz
SPL IEC268-5 , 1W/1m	90,0 dB
SPL EN54-24, Pmax/4m	94 dB
Sensitivity EN54-24, 1W/4m	77,8 dB
Sensitivity EN54-24, 1W/1m	89,8 dB
Dispersion -6dB, 500Hz	h/v 180°
Dispersion -6dB, 1KHz	h/v 180°
Dispersion -6dB, 2KHz	h/v 115°
Dispersion -6dB, 4KHz	h/v 62°

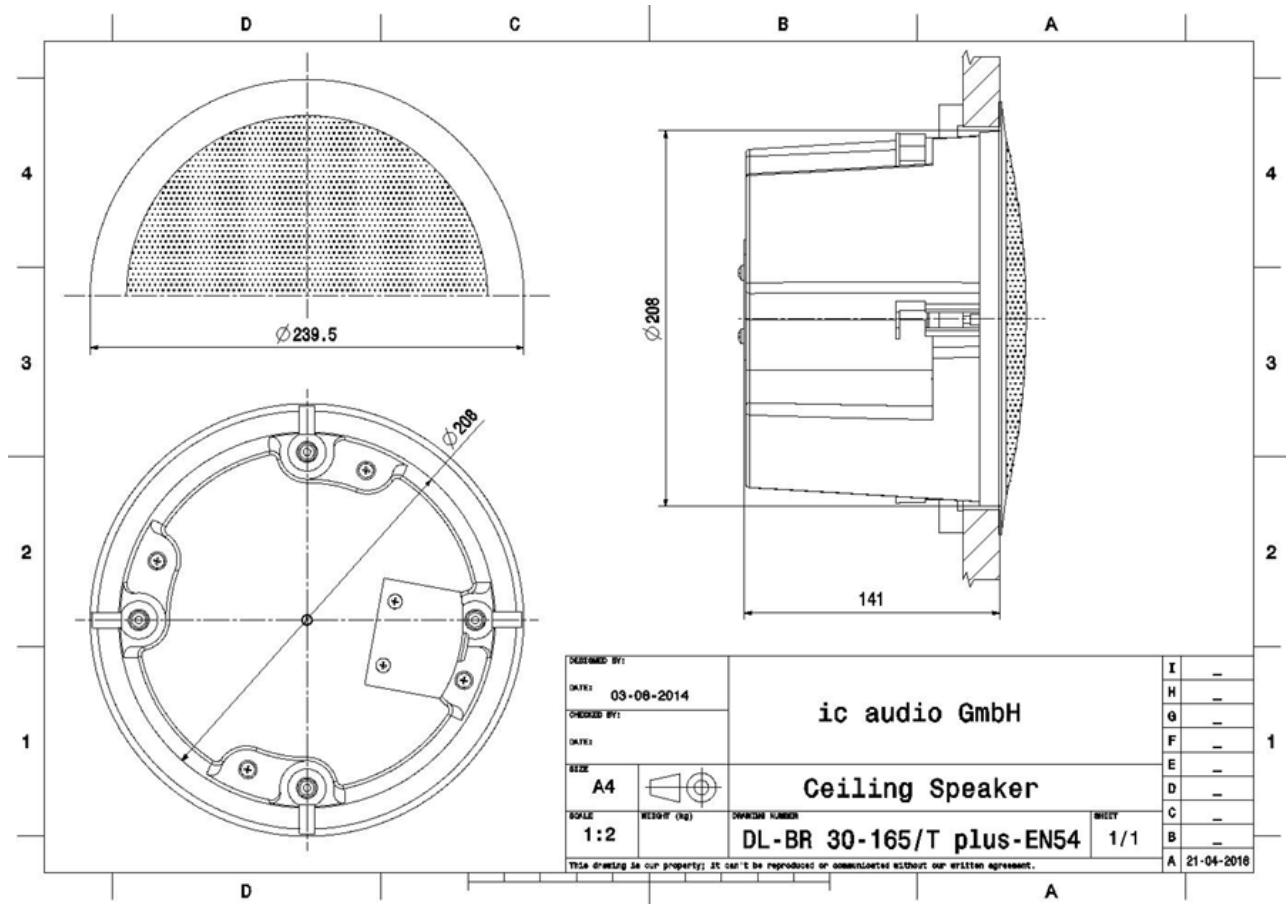
Technical Data (Mechanical)

Dimensions	239,5 x 159 mm
IP Rating	IP21
Weight (net)	2,27 kg
Ceiling Cut-out	210 mm
Temperature range	-10 / +55 C°
Mounting	Quick-mount clamps
Connector	4-pin screw terminal
Terminal diameter	2,5 mm
Maximum cable cross section	4,9mm ²
Colour	RAL 9016

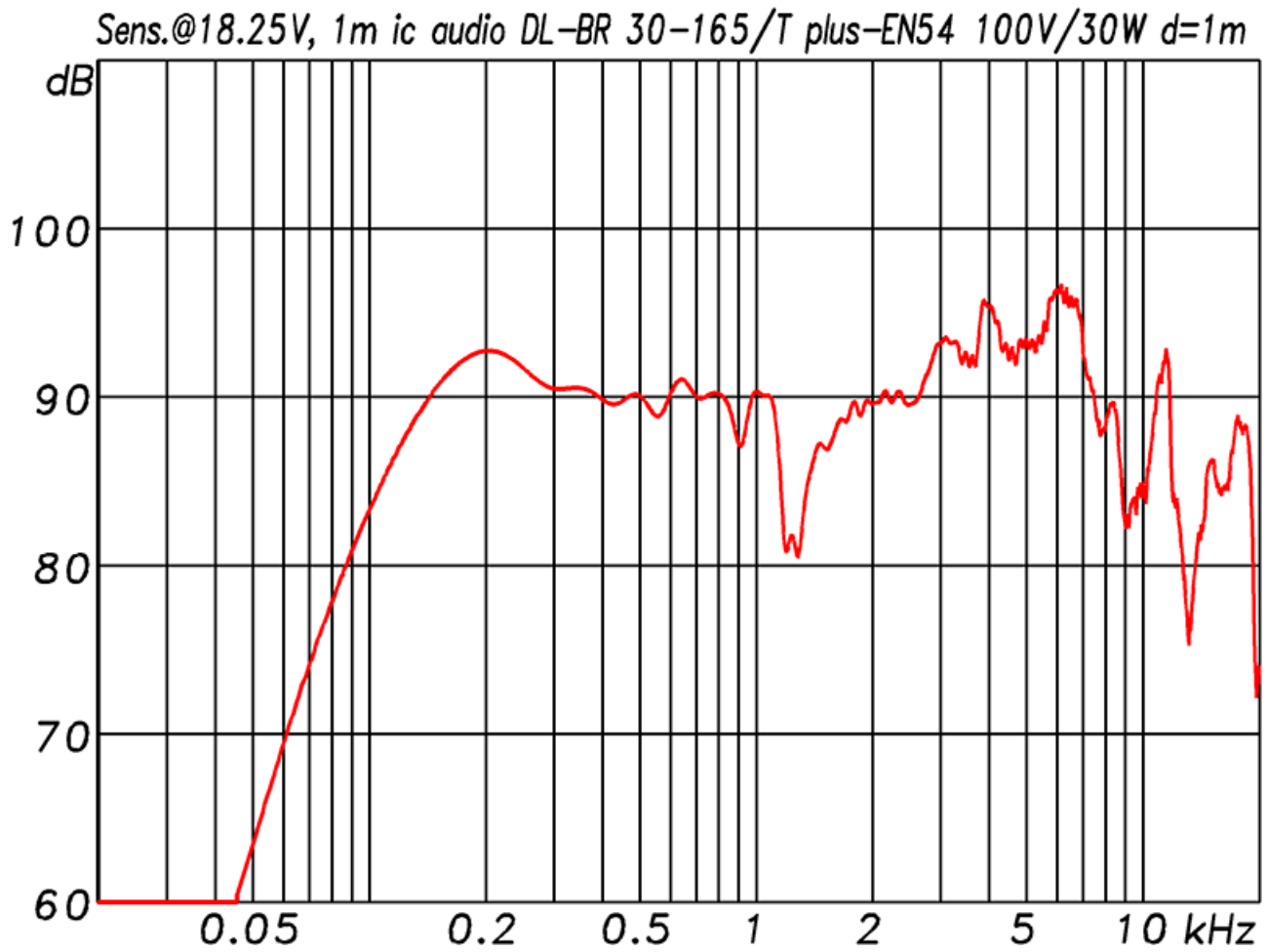
Product Attributes



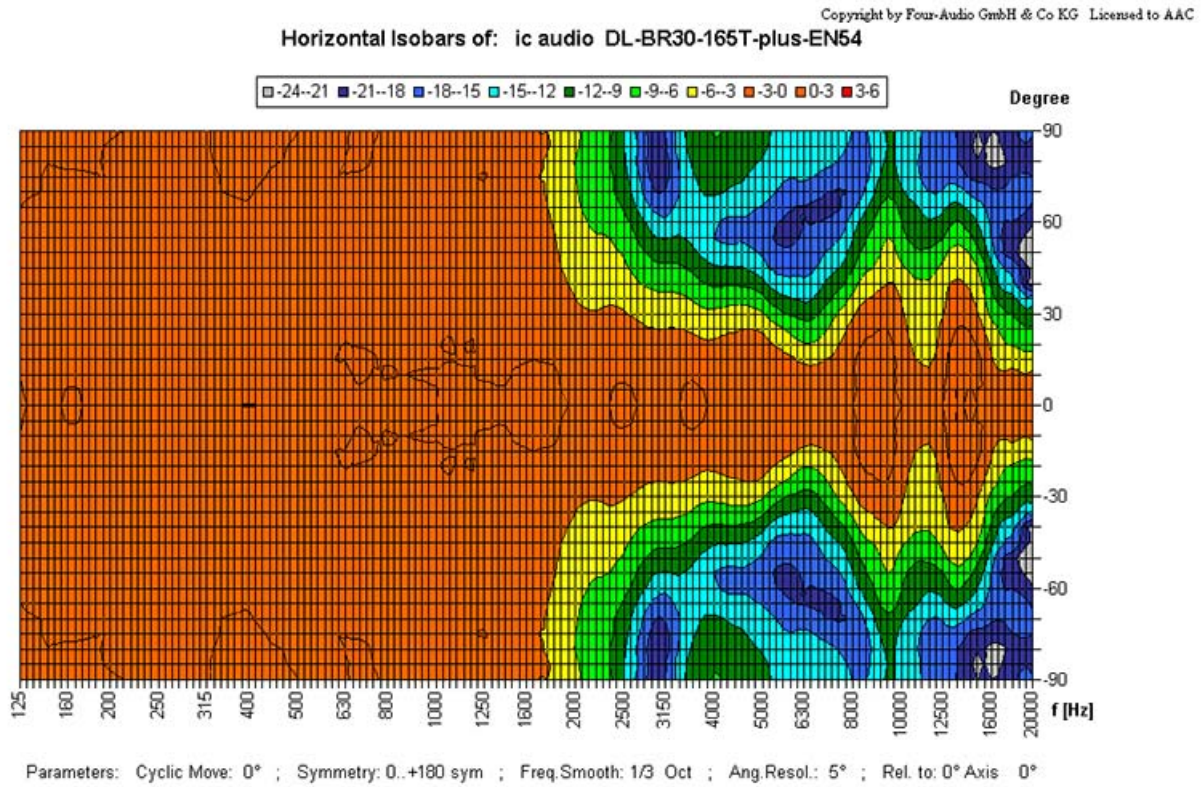
Technical Diagrams



Frequency Response Diagrams



Polar Diagrams



ic audio loudspeakers are tested and classified according to the IEC standard 60529 (degree of protection by enclosure) against the penetration of foreign objects and moisture. The classification is conforming to standards through characterization with a fixed code. This code consists of the letters IP (International Protection) followed by two digits. The first digit indicates the degree of protection against dust and the second digit the degree of protection against water. Please note that the testing of the products has been carried out in laboratory conditions which are not always 100% comparable with the conditions of different installation environments. This protection can be reduced due to normal wear and tear depending on the installation environment.

RoHS compliant (2011/65/EU)

The IP rating specified is based on ic audio test results, not on CNBOP-PIB test results. Certification only verifies the minimum requirements for EN54-24 compliance.



Article Nr.: 20142882

Packing Unit: 4

