



TH-100-EN54

- high sound pressure level
- weather-proof
- stainless steel mounting V5A



EN 54-24:2008
Ref. Nr.: 01T-15
ID-Code: SAA-TH01
1438-CPR-0481

ic audio GmbH, Boehringerstraße 14a,
D-68307 Mannheim, Germany

CE-Symbol gemäß Richtlinie 93/68EWG

The boundary horn speaker TH-100-EN54 has been developed for areas with extremely high ambient noise and is suitable for indoor and outdoor applications, such as tunnels. It is built to withstand corrosive atmospheric contaminants, high moisture levels and temperature extremes. The horn provides an enormous sound pressure level, a balanced frequency response, and a very low distortion.

The TH-100-EN54 with a flame-retardant plastic housing (UL 94 V-0) in black and IP 65 protection is also equipped with a ceramic block and thermal fuse. The high-quality 100W horn driver offers a high-performance CCAR voice coil. A simple and stable cable gland is made possible by 2 x PG13.5.

Sturdy installation by rust-free V5A stainless steel brackets and screws (1.4401 according to ISO 3506 / EN 10088-3; AISI 316).

There are two mounting solutions to choose from: the standard TH-100-WH mount with 4 individual mounting brackets and the premium TH-100-PH mount, which allows the horn to be mounted by only one person. **The brackets are not included in the delivery.**

This horn speaker provides intelligible voice notifications over a great distance, resulting in a lower number of required loudspeakers. The product is a certified voice alarm speaker according to EN54-24 and there is no other equalizer needed to meet the frequency response requirements according to EN54-24.

Technical Data (Electrical)

Description	TH-100-EN54
Power	100/50/25W
Impedance (100V)	100/200/400 ohm
Frequency Range	280 - 9.000 Hz
Frequency Response	250 - 10.000 Hz
SPL IEC268-5, 1W/1m	113,0 dB
SPL EN54-24, Pmax/4m	119,0 dB
Sensitivity EN54-24, 1W/4m	101,0 dB
Sensitivity EN54-24, 1W/1m	113,9 dB
Dispersion -6dB, 500Hz	h=58° v=35°
Dispersion -6dB, 1KHz	h=35° v=25°
Dispersion -6dB, 2KHz	h=40° v=20°
Dispersion -6dB, 4KHz	h=54° v=15°

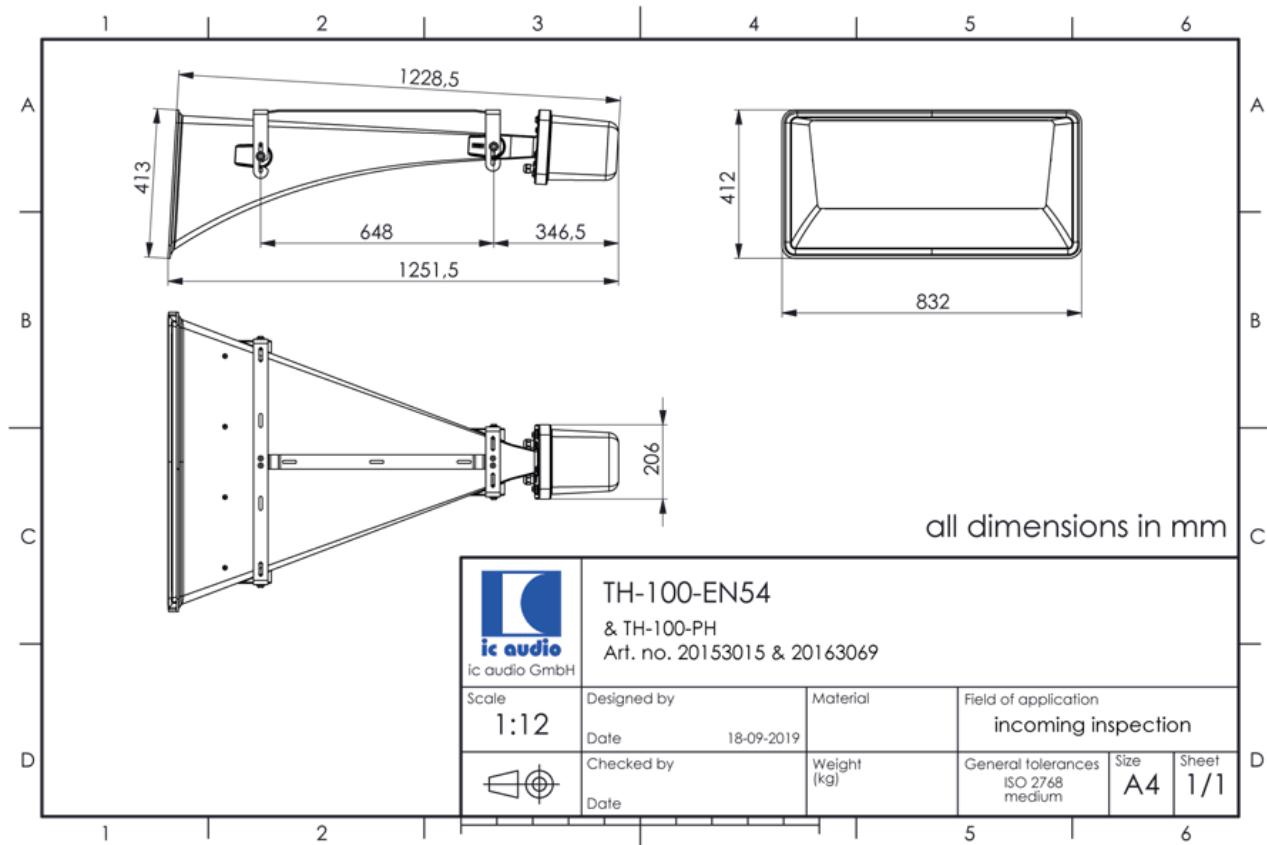
Technical Data (Mechanical)

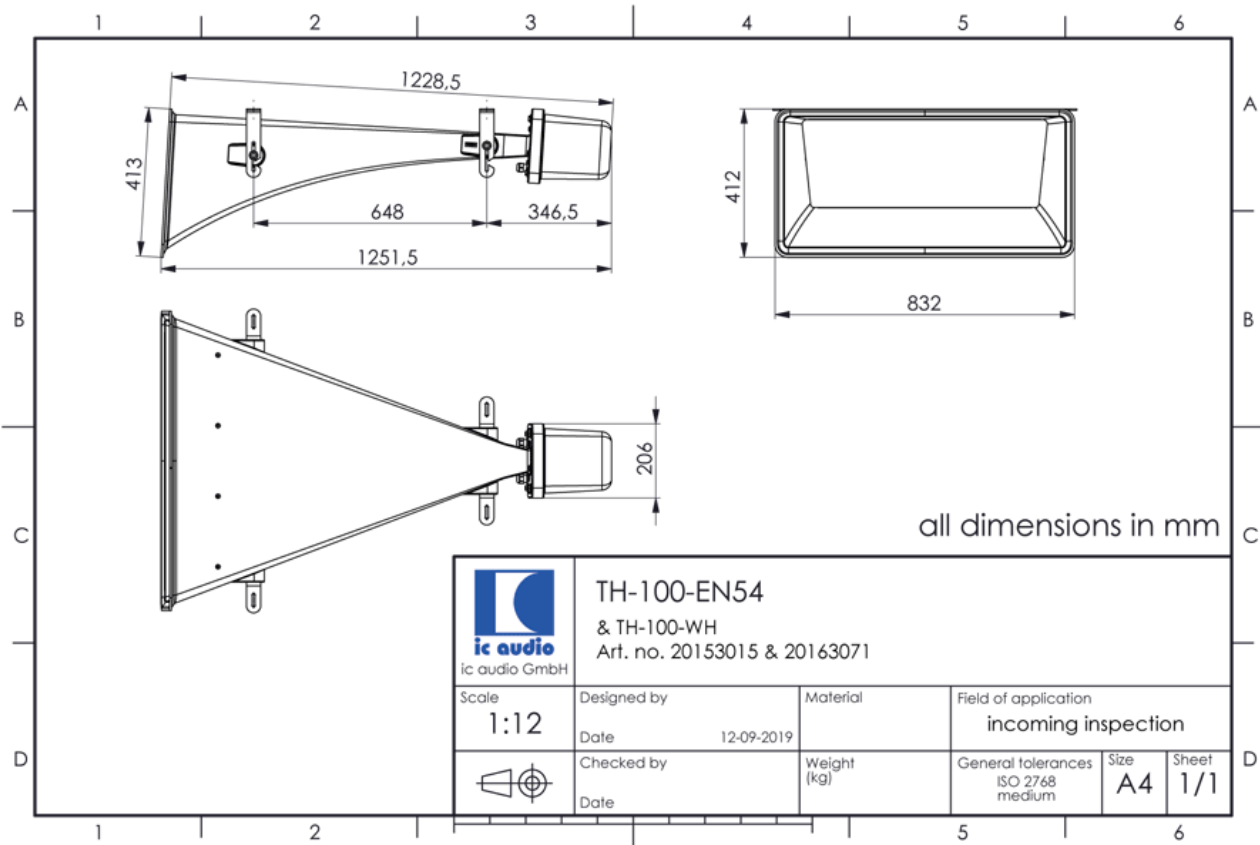
Dimensions	1228 x 832 x 413 mm
IP Rating	IP65
Weight (net)	16,0 kg
Temperature range	-25 / +70 C°
Mounting	V5A mounting brackets
Connector	4-pin ceramic block
Terminal diameter	3,2 mm
Maximum cable passage	8 mm ²
Colour	black

Product Attributes

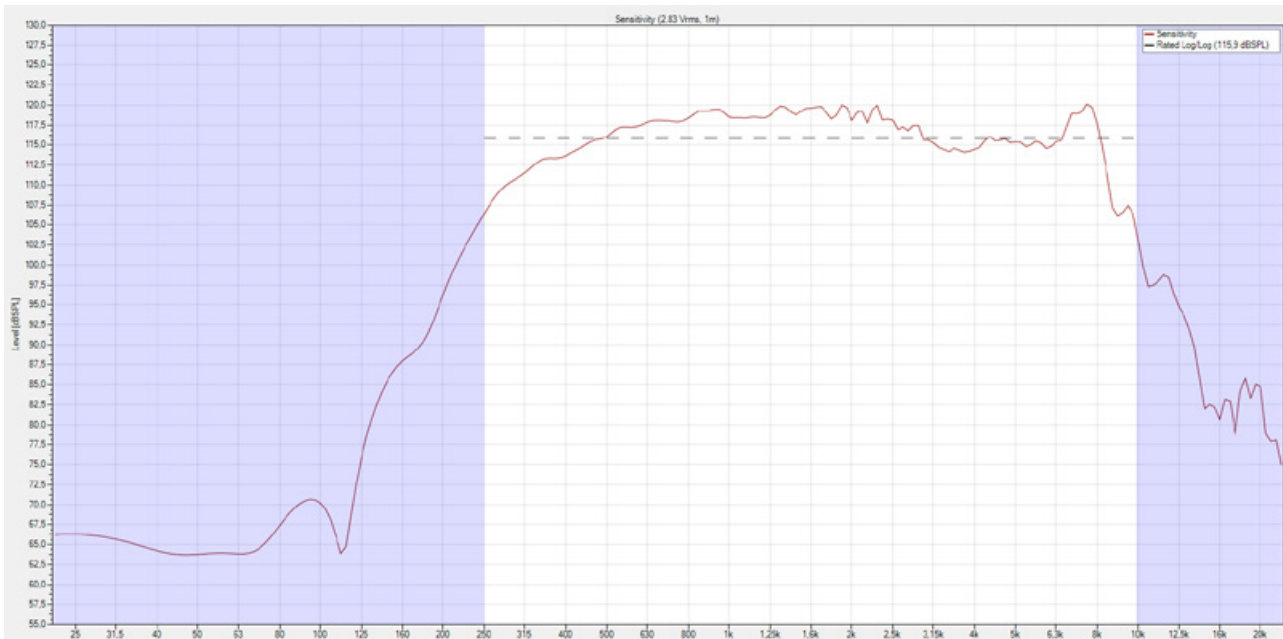


Technical Diagrams

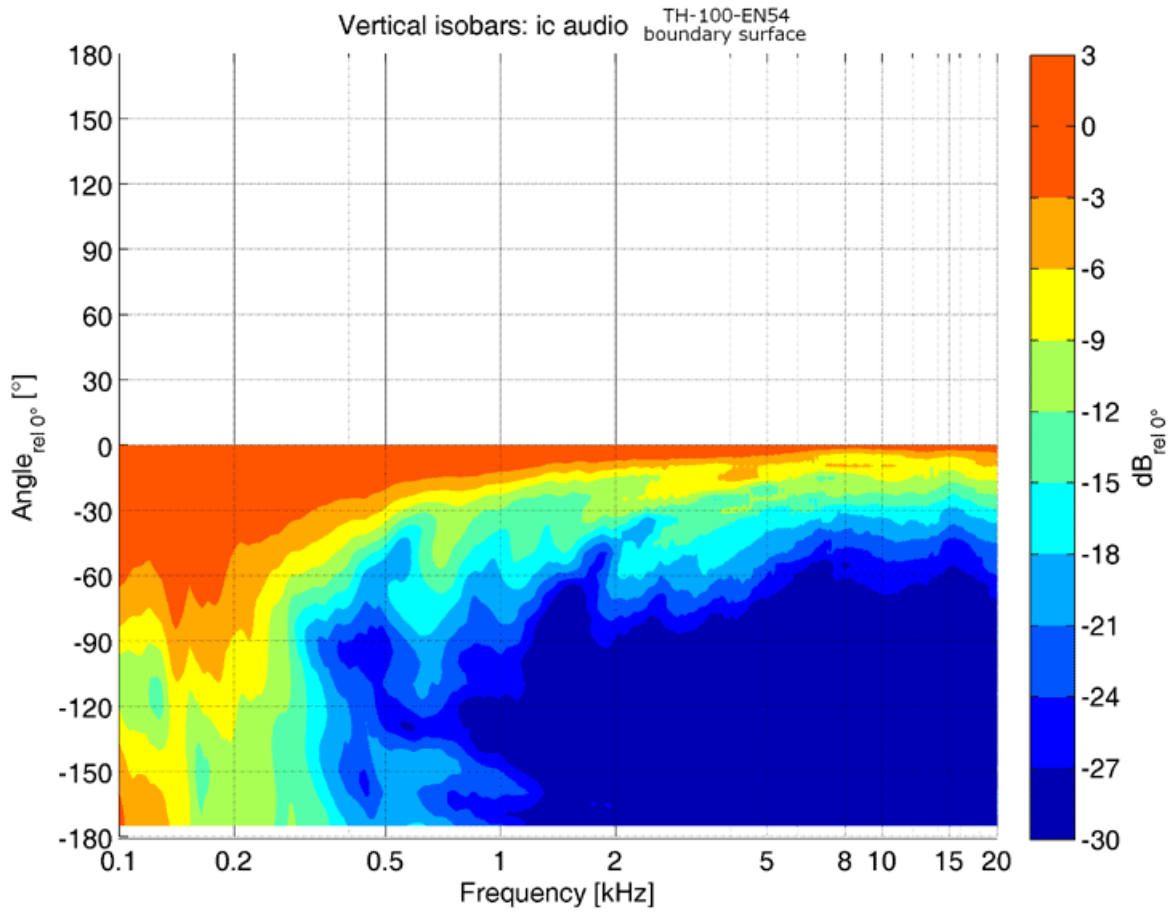


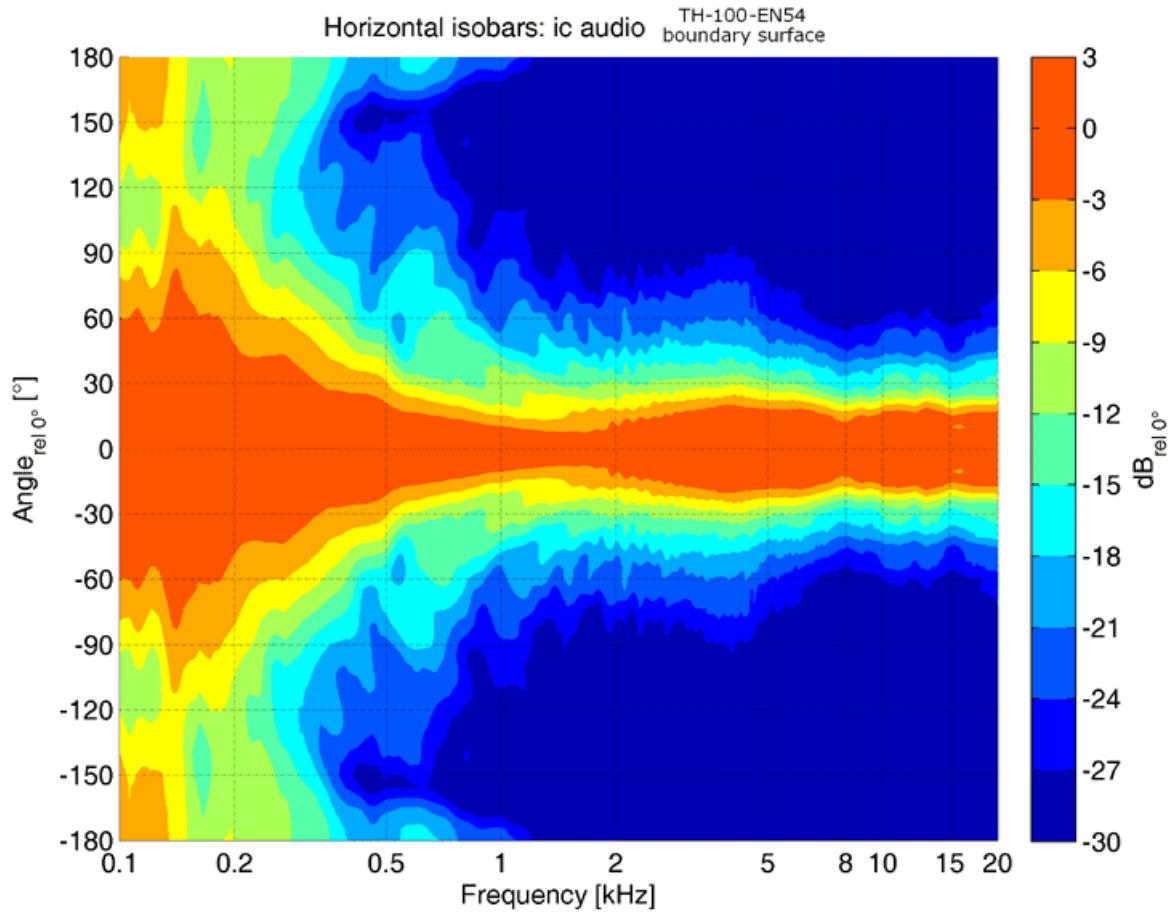


Frequency Response Diagrams



Polar Diagrams





ic audio loudspeakers are tested and classified according to the IEC standard 60529 (degree of protection by enclosure) against the penetration of foreign objects and moisture. The classification is conforming to standards through characterization with a fixed code. This code consists of the letters IP (International Protection) followed by two digits. The first digit indicates the degree of protection against dust and the second digit the degree of protection against water. Please note that the testing of the products has been carried out in laboratory conditions which are not always 100% comparable with the conditions of different installation environments. This protection can be reduced due to normal wear and tear depending on the installation environment.

RoHS compliant (2011/65/EU)

The IP rating specified is based on ic audio test results, not on CNBOP-PIB test results. Certification only verifies the minimum requirements for EN54-24 compliance.



Article Nr.: 20205416

Packing Unit: 1

