



DL-SE 10-200/T-EN54

- frameless design
- also suitable for very thin ceilings
- WAGO connector 221



EN 54-24:2008
Ref. Nr.: 002-18
ID-Code: SAA-1802
1438-CPR-0642

ic audio GmbH, Boehringerstraße 14a,
D-68307 Mannheim, Germany

CE-Symbol gemäß Richtlinie 93/68EWG

The frameless design of the new ceiling speakers is inspired by current LED lights and already has the makings of a classic. The 10W powered speaker is equipped with a 200mm full-range loudspeaker and a 100V transformer with 3 power adjustments. The powder-coated metal housing in RAL 9016 guarantees long-term stability. For additional reliability, the speaker is impregnated against wetness.

The speaker is also secured with protection class IP 21C against the security risks of environmental influences. Fast and easy installation through WAGO 221 connector and strong spring clamps with protective caps for vibration damping. The connecting cables can be supplied through rubber grommets in the fire dome.

Special paint of the speaker in 4-digit RAL or NCS colour is available at extra cost. The fire dome is included in the delivery.

This speaker is suitable for a ceiling strength of approx. 1-45 mm. Our specification is primarily related to solid ceilings. An increase in the ceiling depth could be necessary for ceilings with softer materials. Stronger cables and other fittings may also result in changes to the general setup. With regard to the variety of materials and manufacturers, we recommend installing a speaker sample in the ceiling first to define the exact requirements.

Technical Data (Electrical)

Description	DL-SE 10-200/T-EN54
Power	10/5/2.5W
Impedance (100V)	1000/2000/4000 ohm
Frequency Range	60 - 17.500 Hz
Frequency Response	50 - 18.900 Hz
SPL IEC268-5 , 1W/1m	94,8 dB
SPL EN54-24, Pmax/4m	93,3 dB
Sensitivity EN54-24, 1W/4m	85.1 dB
Dispersion -6dB, 500Hz	180°
Dispersion -6dB, 1KHz	155°
Dispersion -6dB, 2KHz	120°
Dispersion -6dB, 4KHz	65°

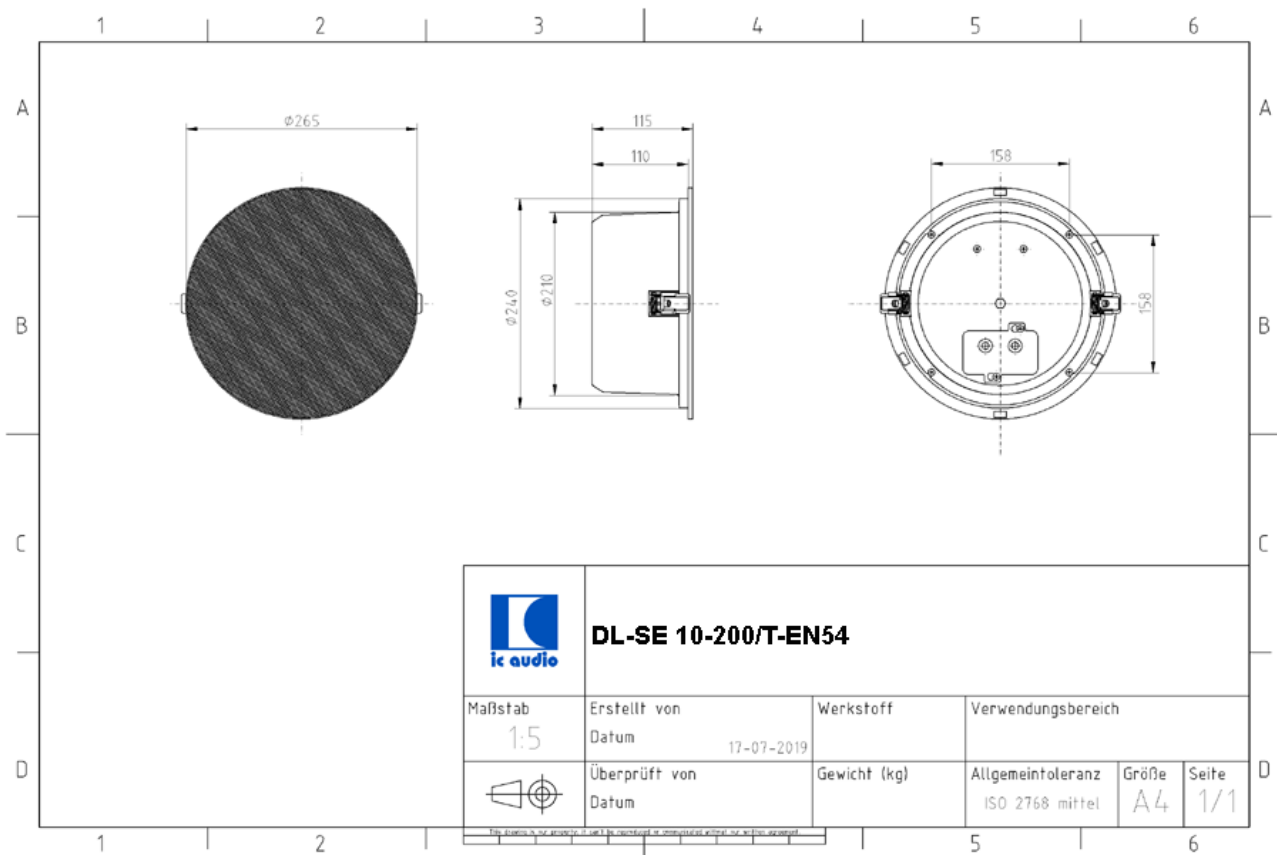
Technical Data (Mechanical)

Dimensions	268x115 mm
IP Rating	IP21
Weight (net)	1.7 kg
Ceiling Cut-out	246 - 252mm
Temperature range	-10 / +55 °C
Mounting	Quick fit mounting
Connector	WAGO 221 connector
Terminal diameter	2,3 mm
Maximum cable cross section	4mm ²
Colour	RAL 9016

Product Attributes



Technical Diagrams



ic audio loudspeakers are tested and classified according to the IEC standard 60529 (degree of protection by enclosure) against the penetration of foreign objects and moisture. The classification is conforming to standards through characterization with a fixed code. This code consists of the letters IP (International Protection) followed by two digits. The first digit indicates the degree of protection against dust and the second digit the degree of protection against water. Please note that the testing of the products has been carried out in laboratory conditions which are not always 100% comparable with the conditions of different installation environments. This protection can be reduced due to normal wear and tear depending on the installation environment.

RoHS compliant (2011/65/EU)

The IP rating specified is based on ic audio test results, not on CNBOP-PIB test results. Certification only verifies the minimum requirements for EN54-24 compliance.



Article Nr.: 20194234

Packing Unit: 8

