



DL-SE 06-100/T-EN54

- splash-proof
- frameless design
- WAGO connector 221



EN 54-24:2008
Ref. Nr.: 006-27
ID-Code: SAA-LS27
1438-CPR-0642

ic audio GmbH, Boehringerstraße 14a,
D-68307 Mannheim, Germany

CE-Symbol gemäß Richtlinie 93/68EWG

The DL-SE 06-100/T-EN54 is a splash-proof version of the SE-Series which is perfect for installation in bathrooms, pool areas, e.g. The 6W powered speaker is equipped with a 100mm full-range loudspeaker and a 100V transformer with 3 power adjustments. The powder-coated metal in RAL 9016 guarantees long-term stability.

The speaker is secured with protection class IP 54 against the risks of environmental influences. For additional reliability, the speaker is impregnated against wetness. Fast and easy installation by WAGO 221 connector and strong spring clamps with protective caps for vibration damping. The connecting cables can be supplied through rubber grommets in the fire dome.

Special paint of the speaker in 4-digit RAL- or NCS- colour is available at extra cost. The ABS fire dome is included in the delivery.

This speaker is suitable for a ceiling strength of about 1-45 mm. Our specification is primarily related to solid ceilings, for ceilings with soft materials higher ceiling thicknesses could be necessary. In addition, stronger cables and other fittings may also result in changes in the appropriate setup. Regarding the variety of materials and manufacturers, we recommend building a sample of the speaker to match the requirements accurately.

Technical Data (Electrical)

Description	DL-SE 06-100/T-EN54
Power	6/3/1,5 W
Impedance (100V)	1667/3333/6667 ohm
Frequency Range	230 - 12.000 Hz
Frequency Response	220 - 14.000 Hz
SPL IEC268-5 , 1W/1m	91 dB
SPL EN54-24, Pmax/4m	84,7 dB
Sensitivity EN54-24, 1W/4m	76,1 dB
Sensitivity EN54-24, 1W/1m	88,1 dB
Dispersion -6dB, 500Hz	h/v 180°
Dispersion -6dB, 1KHz	h/v 180°
Dispersion -6dB, 2KHz	h/v 180°
Dispersion -6dB, 4KHz	h/v 115°

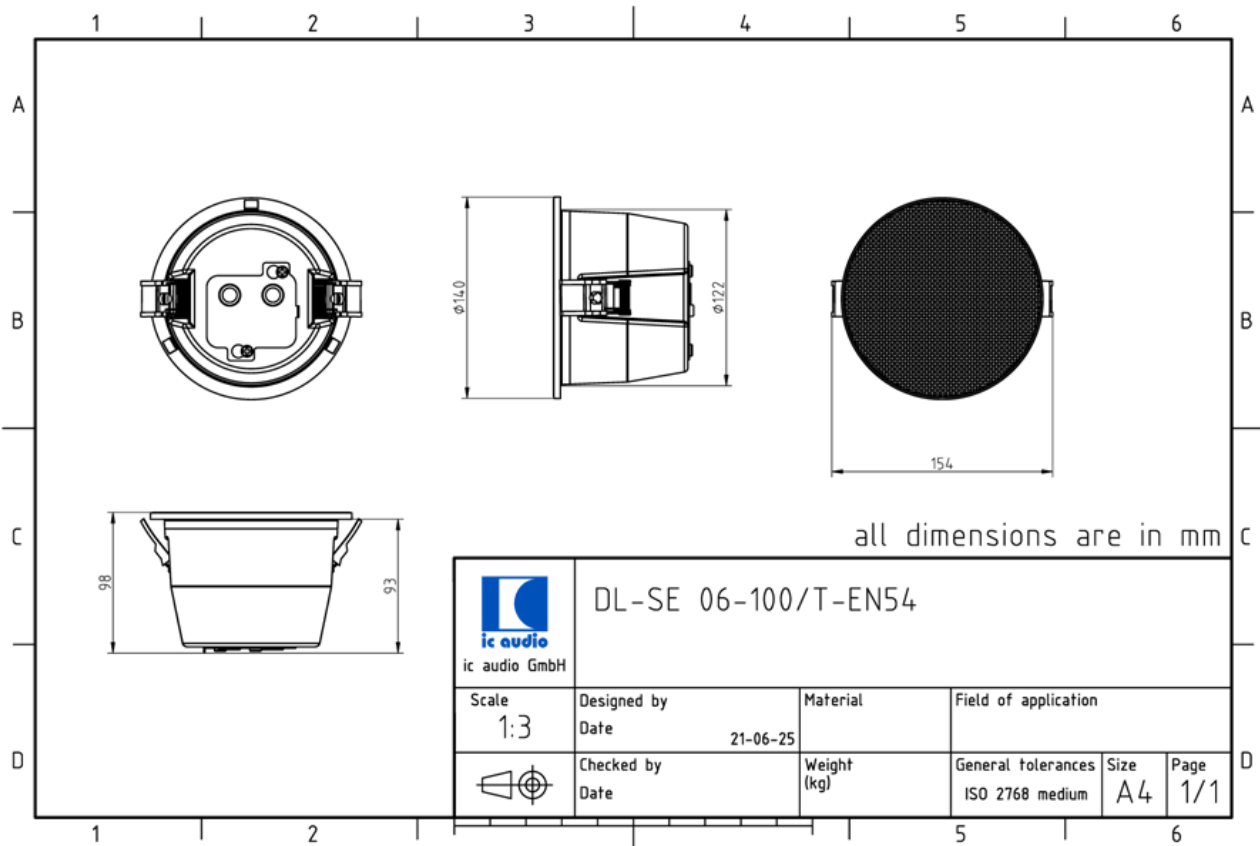
Technical Data (Mechanical)

Dimensions	140x98 mm
IP Rating	IP54
Weight (net)	0,7 kg
Ceiling Cut-out	129 mm
Temperature range	-10 / +55 C°
Mounting	Quick fit mounting
Connector	WAGO 221 connector
Terminal diameter	2,3 mm
Maximum cable cross section	4mm ²
Colour	RAL 9016

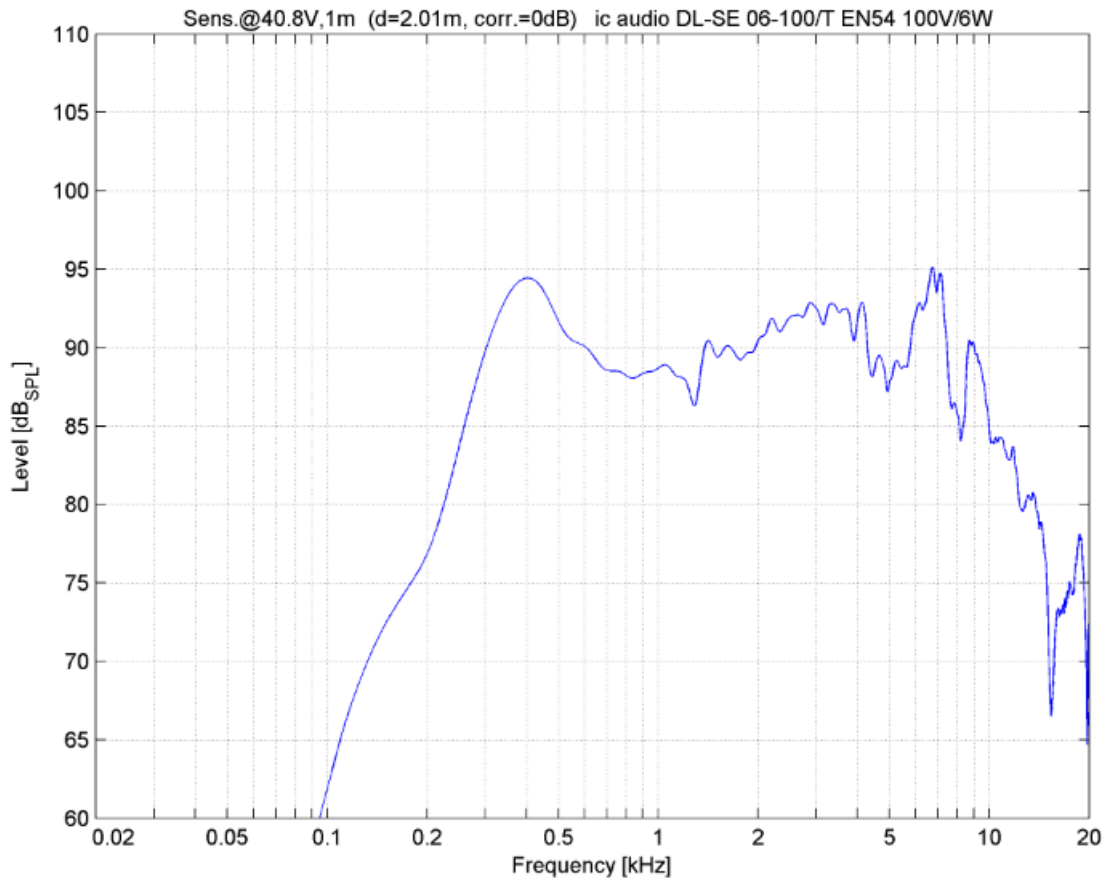
Product Attributes



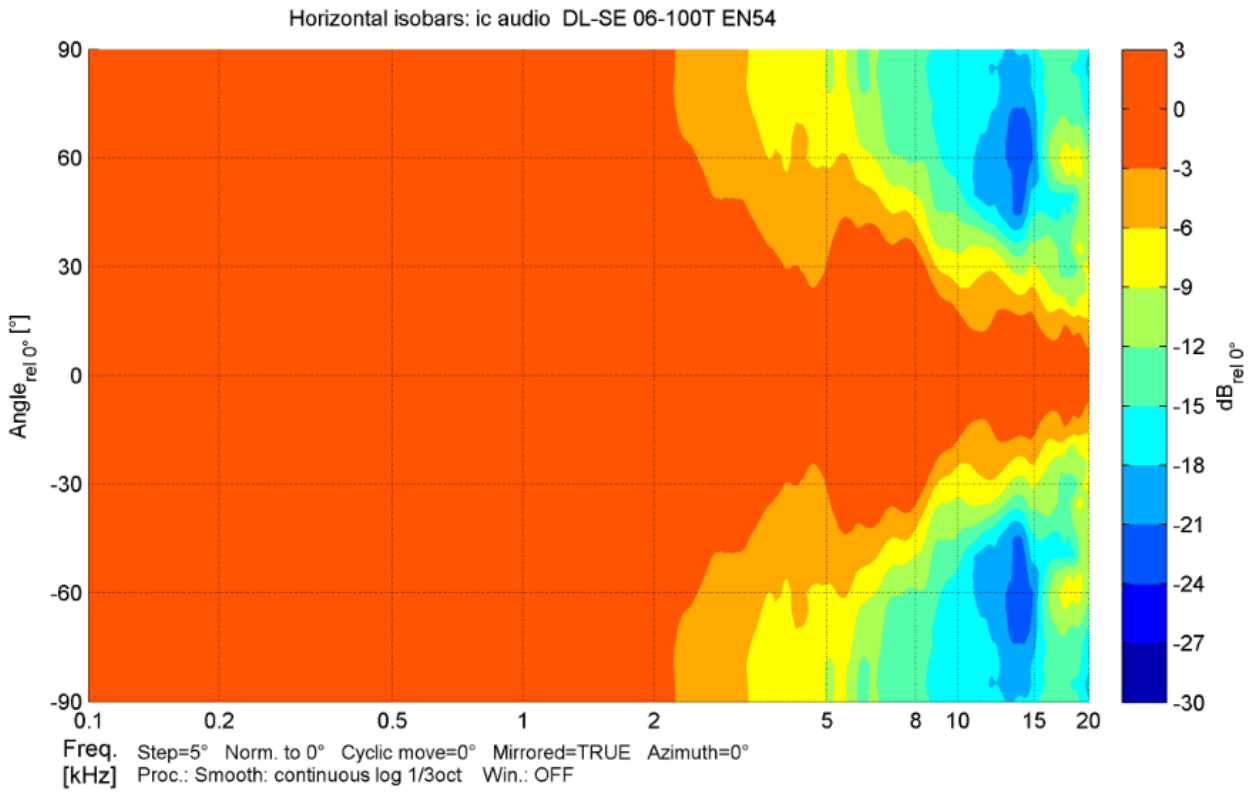
Technical Diagrams



Frequency Response Diagrams



Polar Diagrams



ic audio loudspeakers are tested and classified according to the IEC standard 60529 (degree of protection by enclosure) against the penetration of foreign objects and moisture. The classification is conforming to standards through characterization with a fixed code. This code consists of the letters IP (International Protection) followed by two digits. The first digit indicates the degree of protection against dust and the second digit the degree of protection against water. Please note that the testing of the products has been carried out in laboratory conditions which are not always 100% comparable with the conditions of different installation environments. This protection can be reduced due to normal wear and tear depending on the installation environment.

RoHS compliant (2011/65/EU)

The IP rating specified is based on ic audio test results, not on CNBOP-PIB test results. Certification only verifies the minimum requirements for EN54-24 compliance.



Article Nr.: 20206395

Packing Unit: 12

